

Delayed PZE X4V



Expander module in accordance with VDE 0113-1, 11/98, EN 60204-1, 12/97 and IEC 204-1, 11/98 for increasing the number of contacts available.

Features

- Delay-on de-energisation also effective after a power failure
- Delay time is pre-programmed and cannot be adjusted

Approvals

	PZE X4V
	●
	●
	●

Technical Details	PZE X4V
Electrical Data	
Supply Voltage	DC: 24 V
Tolerance	85 ... 110 %
Power Consumption	Approx. 2 W
Residual Ripple DC	20 %
Total Current	Max. 16 A
Switching Capability in accordance with EN 60947-4-1, 10/91	AC1: 240 V/5 A/1200 VA DC1: 24 V/4 A/100 W AC15: 230 V/5 A; DC13: 24 V/4A
EN 60947-5-1, 10/91 (DC13: 6 cycles/min.)	
Output Contacts	4 safety contacts (N/O)
Contact Fuse Protection (EN 60947-5-1, 10/91)	6 A quick or 4 A slow
Times	
Delay-on Energisation	Approx. 25 ms
Delay-on De-energisation	0.5/0.7/1/2/3 s
Recovery Time	Delay-on de-energisation + delay-on energisation
Mechanical Data	
Maximum Cross Section of External Conductors	2 x 1.5 mm ² or 1 x 2.5 mm ² Single-core or multi-core with crimp connectors
Dimensions (H x W x D)	87 x 22.5 x 122 mm
Weight	230 g

Description

- 22.5 mm, S-95 housing, DIN-Rail mounting
- Positive-guided relay outputs, delay-off:
 - 4 safety contacts (N/O)
- LEDs for channel 1 and channel 2
- Connection for feedback control loop
- Single-channel operation only.

Function Description

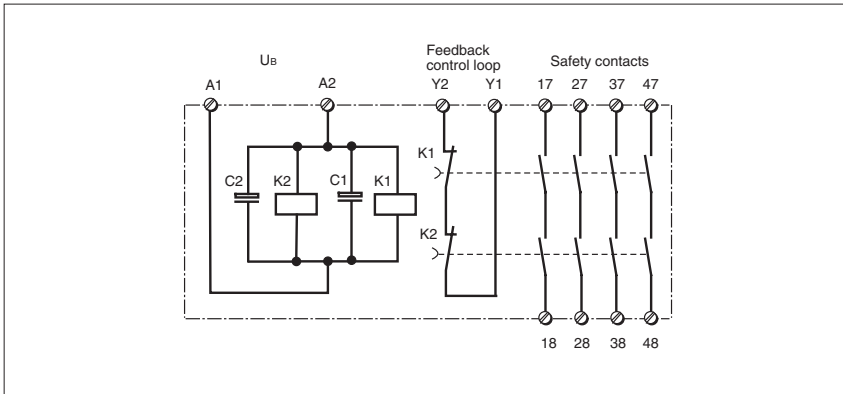
PZE X4V is used to provide time-delayed safety contacts for

- E-STOP relays
- Safety gate monitors
- Two-hand relays

All base units must have a feedback control loop.

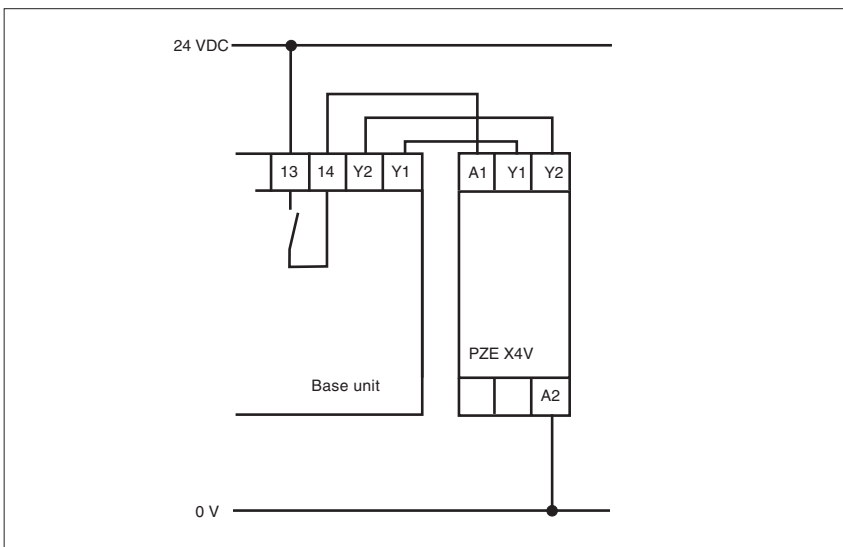
Delayed PZE X4V

Internal Wiring Diagram



External Wiring

- Connection to base unit with feedback control loop



Delayed PZE X4V

General Technical Data

Unless stated otherwise in the technical details for the specific unit

Electrical Data

Frequency Range AC	50 ... 60 Hz
Residual Ripple DC	160 %
Contact Material	AgSnO ₂
Continuous Duty	100 %

Environmental Data

EMC	EN 50081-1, 01/92, EN 50082-2, 03/95
Vibration in accordance with EN 60068-2-6, 04/95	Frequency: 10 ... 55 Hz, Amplitude: 0.35 mm
Climatic Suitability	DIN IEC 60068-2-3, 12/86
Airgap Creepage	DIN VDE 0110 part 1, 04/97
Ambient Temperature	-10 ... +55 °C
Storage Temperature	-40 ... +85 °C

Mechanical Data

Torque Setting on Connection Terminals	0.6 Nm (screws)
Mounting Position	Any
Housing Material	Thermoplast Noryl SE 100
Protection	Mounting: IP 54 Housing: IP 40 Terminal Range: IP 20

The units were tested in accordance with the relevant standards current at the time of development.

Order References

Type	t	U _B	Order No.
PZE X4V	0,5 s fest	24 V DC	774 580
PZE X4V	1 s fest	24 V DC	774 581
PZE X4V	2 s fest	24 V DC	774 582
PZE X4V	3 s fest	24 V DC	774 583