



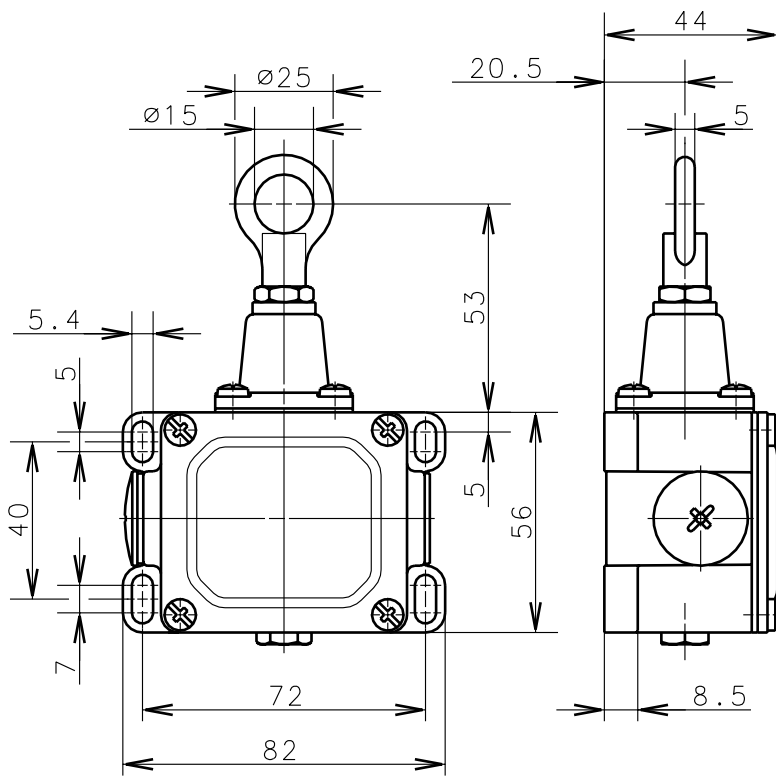
**Bernstein**

Bernstein AG  
Postfach 1164  
D-32437 Porta Westfalica

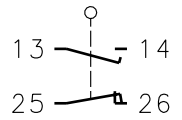
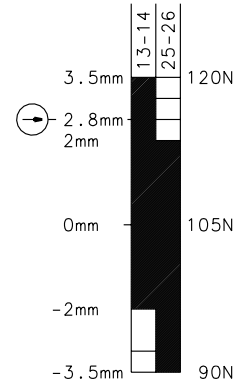
# Technical data sheet

SiD-UV1Z

601.1431.857



Positive opening operation according to DIN EN 60947-5-1 IEC 60947-5-1



Switching diagram

Switching symbol

Tolerance of tensile force  $\pm 15\%$

Schutzvermerk nach DIN 34 beachten  
Copyright reserved

## Mechanical features

Enclosure:	Al-die cast
Cover:	Al-plate
Actuator:	Pull ring

Ambient air temperature:	-30°C up to +80°C
Contact type:	1 NC-contact, 1 NO-contact (Zb)

Mechanical life:	$1 \times 10^6$ switch frequency
Switch frequency:	max. 20/min
Mounting:	4 x M5
Connection type:	4 screw connections (M4)
Conductor cross-section:	single core 0.5-1.5mm <sup>2</sup> / litz wire with connector sleeve 0.5-1.5mm <sup>2</sup>
Cable entry size:	2 x M20x1,5
Weight:	approx. 0,33 kg

## Electrical features

Max. voltage:	400 V AC
Enduring current:	1 th 16A
Inrush current:	accord. to IEC 947-5-1, AC 15, DC 13
Standards:	accord. to EN 60204; EN 60947-1; EN 60947-5-1
Protection class (IP-Code):	IP65 accord. to EN 60529; DIN VDE 0470 T1
CSA:	10A 300V AC, A300 same polarity
Short circuit protection:	16A slow-acting, 20A quick-acting

## Remarks

The moving parts should be oiled periodically.  
Max. rope length: 6 m.  
The planned protection class (IP-Code) is valid only at closed cover and when using an at least equivalent cable gland.

27.11.2003