



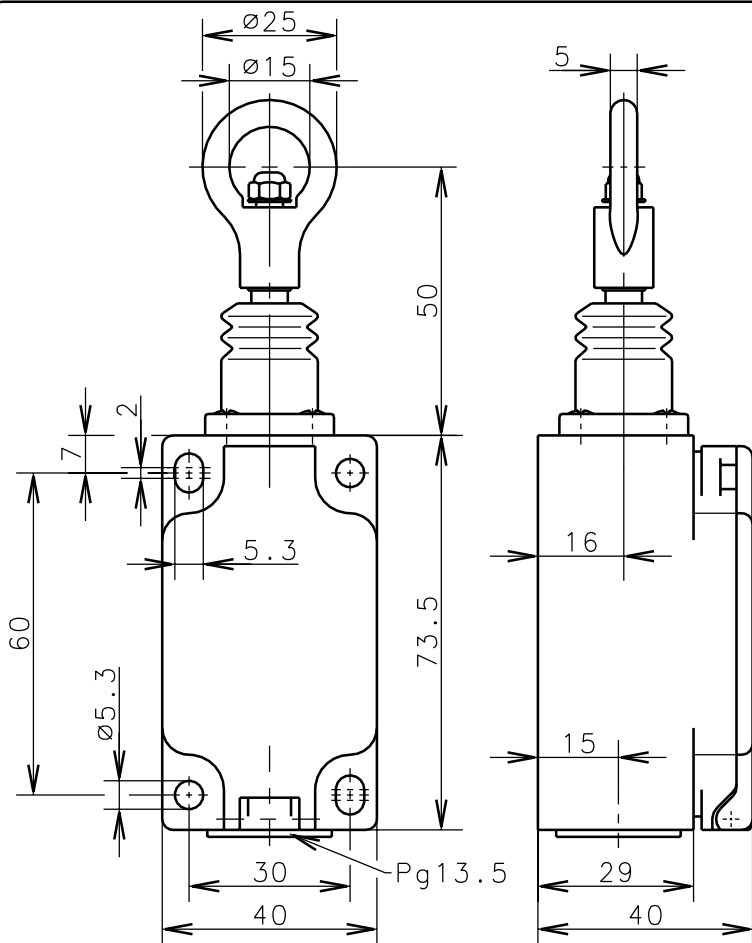
Bernstein

Bernstein AG
Postfach 1164
D-32437 Porta Westfalica

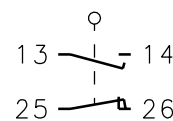
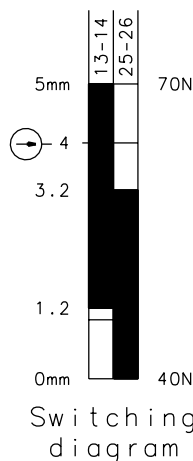
Technical data sheet

SiEK-UV1Z

601.1831.134



Positive opening operation according to DIN EN 60947-5-1 IEC 947-5-1



Switching symbol

Tolerance of tensile force $\pm 15\%$

Schutzvermerk nach DIN 34 beachten
Copyright reserved

Mechanical features

Enclosure:	Thermoplast, glass fiber reinforced
Cover:	Thermoplast, glass fiber reinforced
Actuator:	Pull ring

Ambient air temperature:	-30°C up to +80°C
Contact type:	1 NC-contact, 1 NO-contact (Zb)

Mechanical life:	1×10^6 switch operations
Switch frequency:	max. 50/min
Mounting:	4 x M5
Connection type:	4 screw connections (M3,5)
Cable entry size:	1 x Pg13.5
Weight:	approx. 0,17 kg

Electrical features

Max. voltage:	500 V AC
Enduring current:	1 th 10A
Inrush current:	according to IEC 947-5-1, AC 15, DC 13
Standards:	according to EN 60204; EN 60947-1; EN 60947-5-1
Protection class (IP-Code):	IP65 according to EN 60529; DIN VDE 0470 T1
CSA:	10A 300V AC, A300 (same polarity)
Short circuit protection:	10A slow-acting, 16A quick-acting

Remarks

The moving parts should be oiled periodically.
 Rope with accessories can be delivered on request.
 The planned protection class (IP-Code) is valid only at closed cover and when using an at least equivalent cable gland.

15.01.2001