

YZ-610 4U Rackmount Chassis



Single Form Factor
1 size supporting ATX &
PICMG1.3

**Drive bay with shock and
vibration resistant design**

**EIA RS-310C 19"
Rackmount Standard**

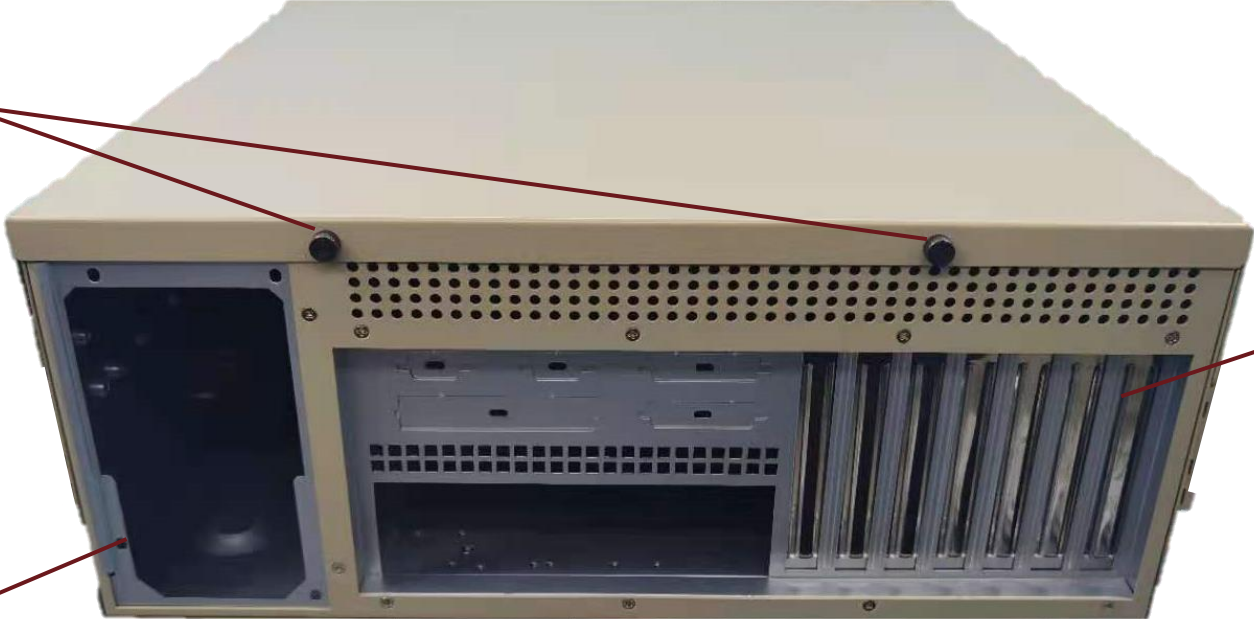
Tough Built
Heavy duty steel for
mechanical protection

**Replaceable and
easy to clean air filter**

Status LED
Available system status
(Inside front door)

YZ-610 4U Rackmount Chassis

Dual Thumb Screw
Easy maintenance



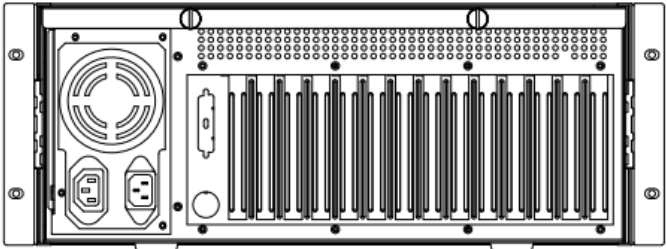
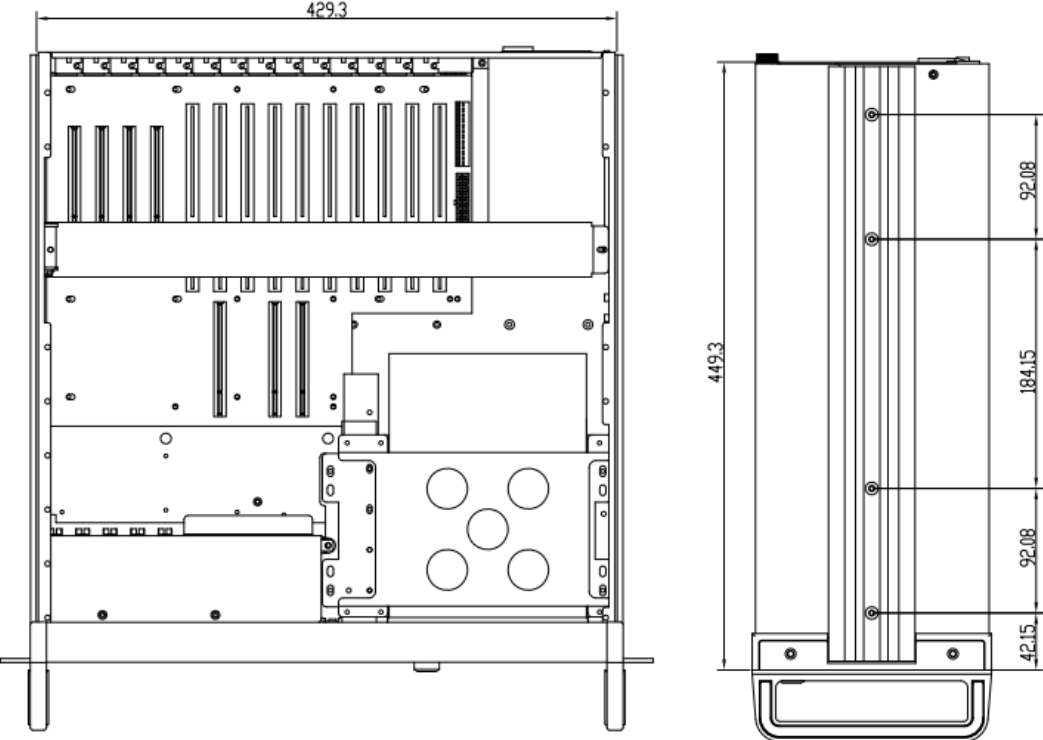
Supports 14-slot
backplane (PICMG 1.3)
and ATX motherboard

PS2 ATX &
mini redundant power
supply

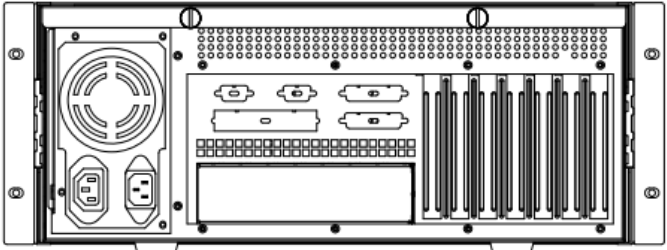
YZ-610 4U Rackmount Chassis

- ❑ Dimensions: 426.5 (W) x 177 (H) x 451 (D) in mm
- ❑ Color & Construction: Beige or Black, Heavy-duty Steel
- ❑ Weight: 12kg
- ❑ Cooling Fan: 1x 120x120x25 mm ball bearing fan
- ❑ Drive Bays:
 - 1 x 3.5" & 3 x 5.25" Front Accessible
 - 1 x 3.5" Internal
- ❑ Front Panel:
 - Front door with lock, 2 x USB connectors
 - LEDs – HDD active and System Power
 - Switches – System reset, ATX power, K/B lock

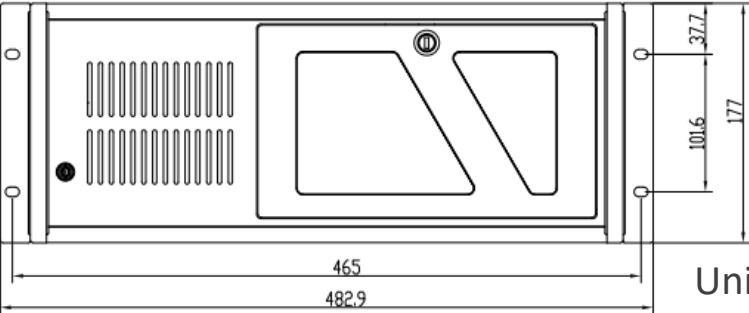
YZ-610 4U Rackmount Chassis



14-slot Back Plane (PICMG)



ATX motherboard



Units (in mm)

